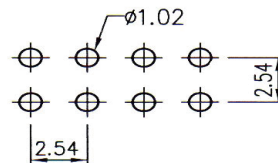
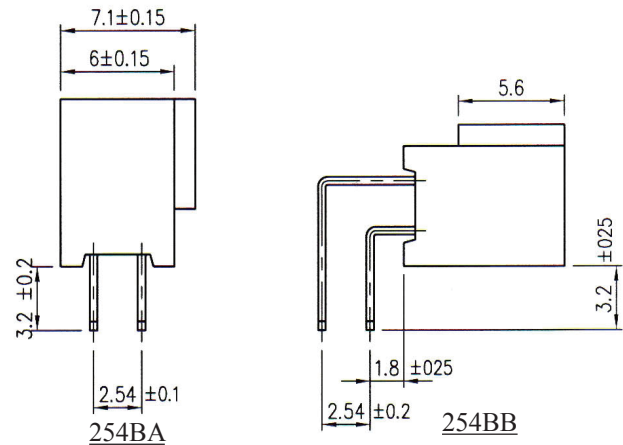
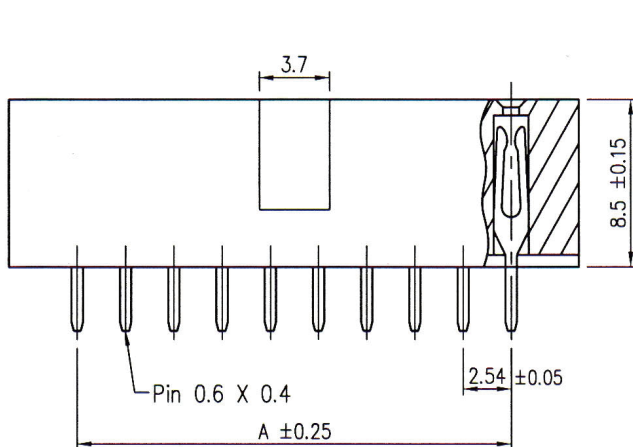
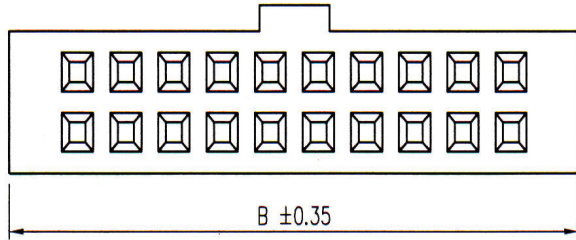


2.54MM(0.100") FEMALE HEADER WITH POLARIZATION BUMP PROFILE=8.50MM



Recommended P.C.Board Layout

SPECIFICATIONS

Current Rating: 3 Amp

Insulation Resistance: 1000MΩ Min

Dielectric Withstanding: 600V AC/DC

Contact Resistance: 20mΩ Max.

Operating Temperature: -40°C to +105°C

MATERIALS

Contact Material: Phosphor Bronze

Insulation Material: Polyester, UL 94V-0
P.B.T or Nylon-6T

Contact Plating: Full Gold, Full Tin, Selective Plated

Standard: Gold Flash all Over Nickel

All materials must be RoHS compliant.

DIMENSIONS:

A = 2.54 x (No. of Contacts-1)

B = 5.0 + 2.54 x No. of Positions / Row

ORDERING INFORMATION:

P/N 254 $\frac{XX}{1}$ - $\frac{XXX}{2}$ $\frac{X}{3}$ B / $\frac{XX}{4}$

1. TERMINAL TYPE:

"BA" STRAIGHT TYPE

"BB" RIGHT ANGLE TYPE

2. NO. OF CONTACTS:

006, 008, 010, 014, 016, 020,

024, 026, 030, 034, 040, 044,

048, 050, 060, 064

3. CONTACT FINISH:

"G" FULL GOLD PLATED

"S" SELECTIVE GOLD PLATED

"T" FULL TIN PLATED

4. INSULATOR MATERIAL:

" " PBT

"6T" NYLON 6T